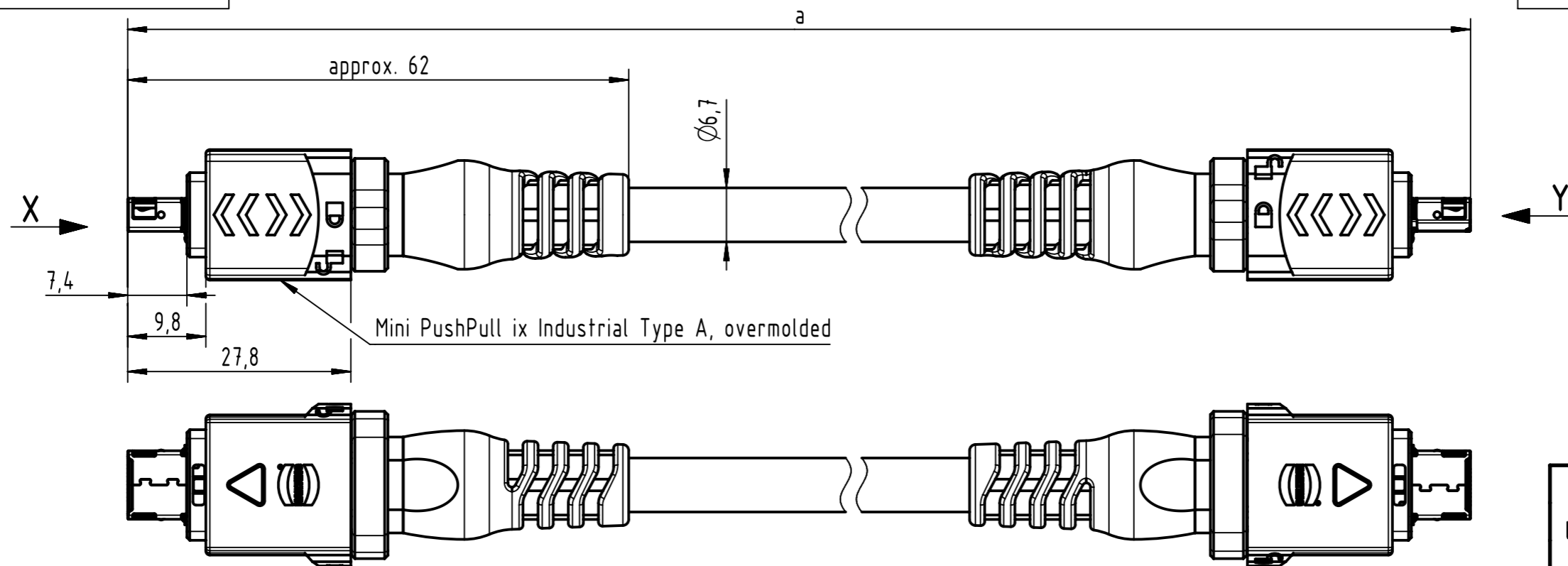


Connector Location A

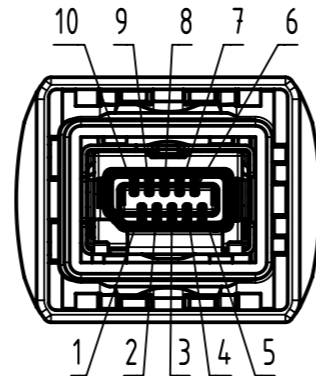
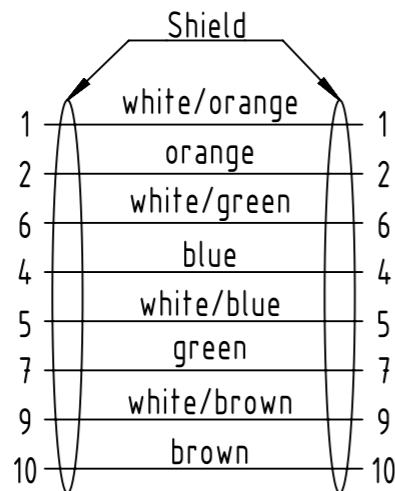
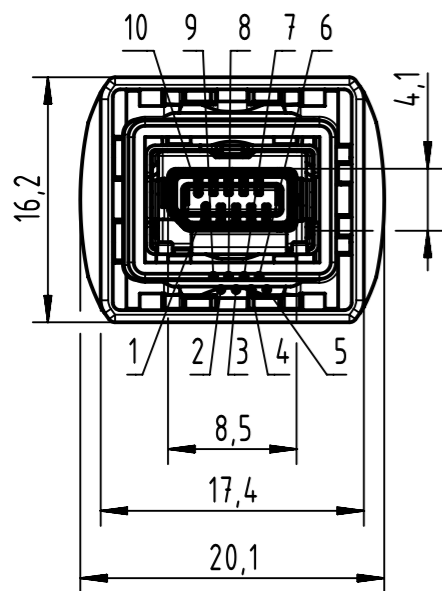
Connector Location B



X
male

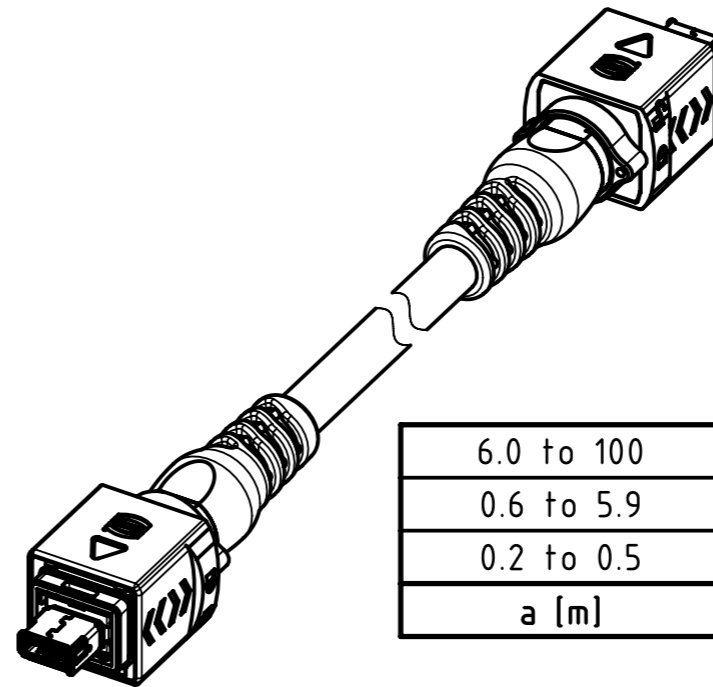
Loading Plan
acc. to TIA/EIA 568B

Y
male



Contacts 3 and 8
are not connected
on both ends

- Protection level: IP65/67
- Temperature range: -40°C ... +70°C



| | |
|------------|-----------|
| 6.0 to 100 | ±1% |
| 0.6 to 5.9 | +0.04 |
| 0.2 to 0.5 | +0.02 |
| a [m] | Tolerance |

| | | |
|--------------------------------|-------|---------|
| length in "1m" step | 100 | XXX=000 |
| | 99 | XXX=990 |
| | . | . |
| | 12 | XXX=120 |
| | 11 | XXX=110 |
| length in "0.1m" step | 10 | XXX=100 |
| | 9.9 | XXX=099 |
| | 9.8 | XXX=098 |
| | . | . |
| | 0.5 | XXX=005 |
| | 0.4 | XXX=004 |
| | 0.3 | XXX=003 |
| | 0.2 | XXX=002 |
| Step | a [m] | XXX |

RJ45 Ethernet Stranded Cable,
4x2xAWG 26/7, PUR,
Cat. 6A, yellow

33483434804XXX

Type of cable

Part no.

NOTE:

For lengths < 1.0m:

- relative positioning of the connectors to each other will be as presented in the drawing, however with an admissible angular deviation around cable axis of ± 30°

For lengths ≥ 1.0m:

-relative positioning of the connectors to each other not obligatory

| | | | | | | |
|---|---------------------|-----------------------------------|----------------------------------|--|--------------------|------------------------|
| | All rights reserved | Created by 402990 Costa | Inspected by COSTEA Costea | Standardisation 402676 Gross | Date 2020-09-04 | State Final Release |
| | Department HCS - RO | Title MPP ix Type A Cat.6A PUR | | Doc-Key / ECM-Nr. 100879025/UGD/000/B 500000179257 | | |
| HARTING Customised Solutions D-32339 Espelkamp | | Type TB | Number 33483434804XXX | | Rev. B | Page 1/1 |